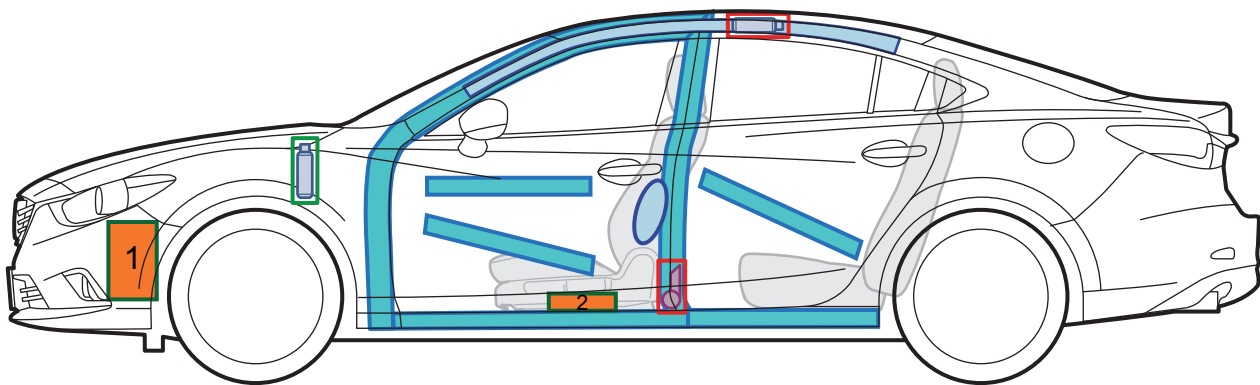
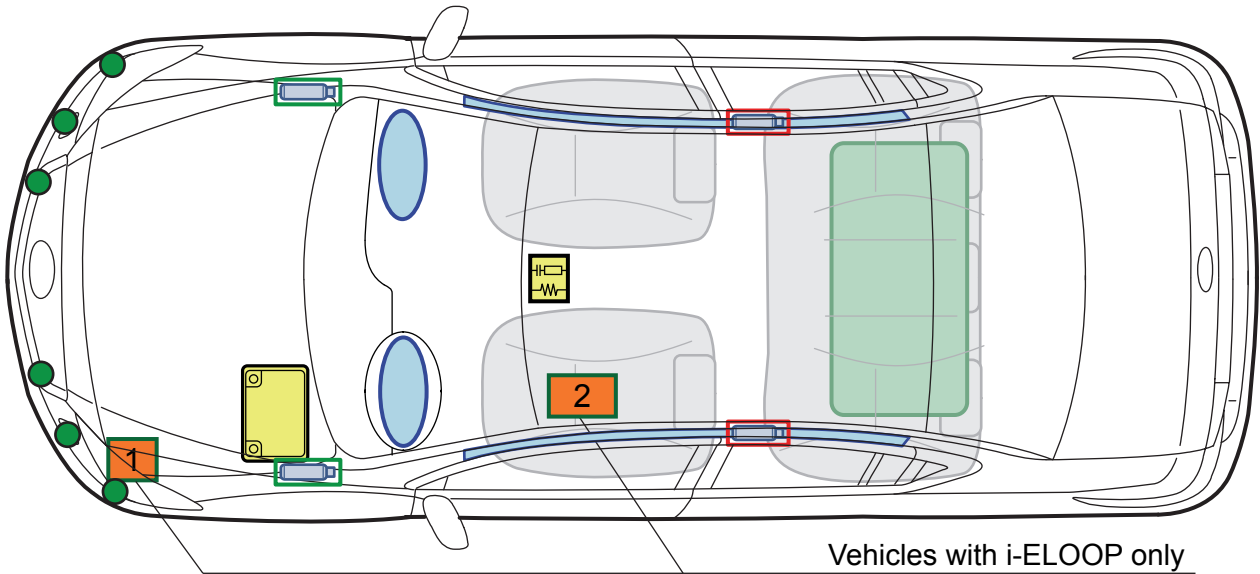
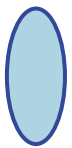



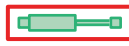
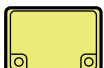











# MAZDA6 GL 2018 SEDAN

JMZGL\*\*\*\*\*600 001-



	Air bag		Body reinforcement		Control module (air bag)
	Gas generator		Gas-pressure damper		Battery
	Active bonnet Gas generator		Active bonnet		Fuel tank
	Seat belt tensioner		Gas generator sensor		i-ELOOP Capacitor
			i-ELOOP DC-DC-Converter		