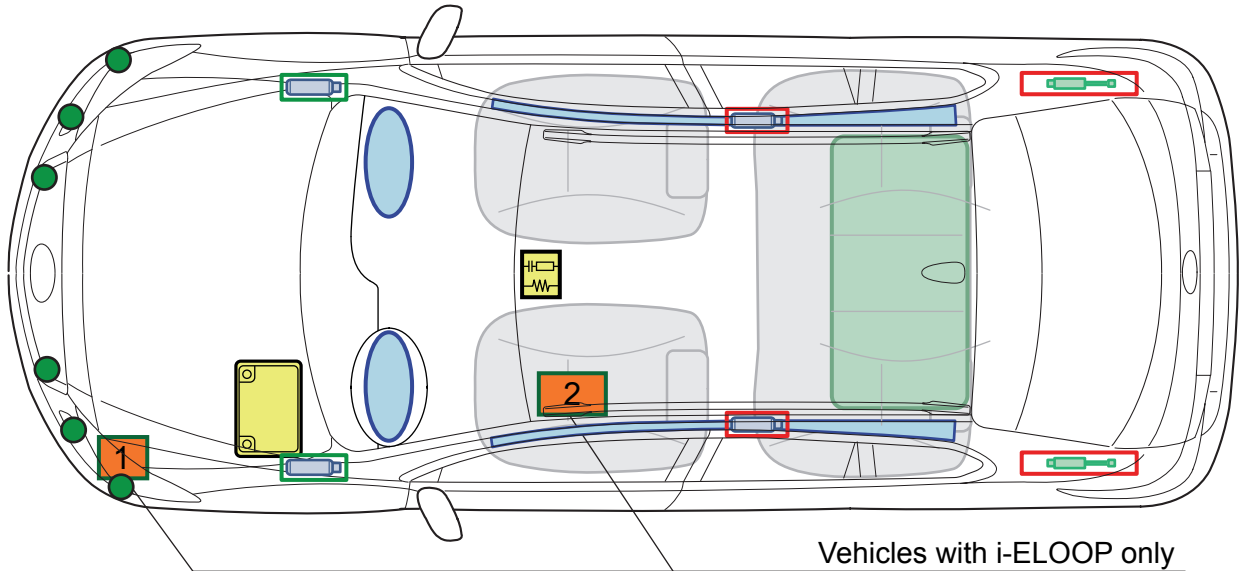


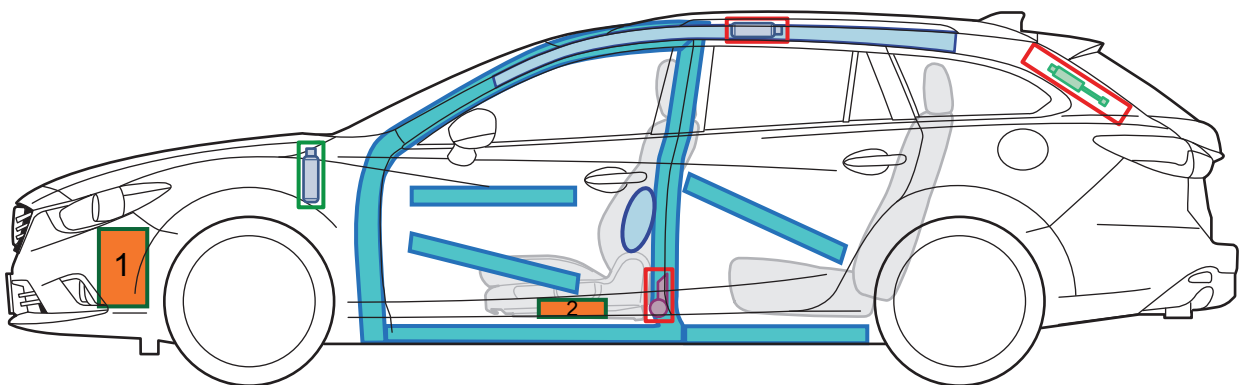






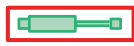


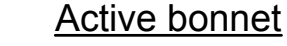





# MAZDA3 GL 2018 WAGON

JMZGL\*\*\*\*\*600 001-



Vehicles with i-ELOOP only



	Air bag		Body reinforcement		Control module (air bag)
	Gas generator		Gas-pressure damper		Battery
	Active bonnet Gas generator		Active bonnet		Fuel tank
	Seat belt tensioner		Gas generator sensor		i-ELOOP DC-DC-Converter
	1 i-ELOOP Capacitor				